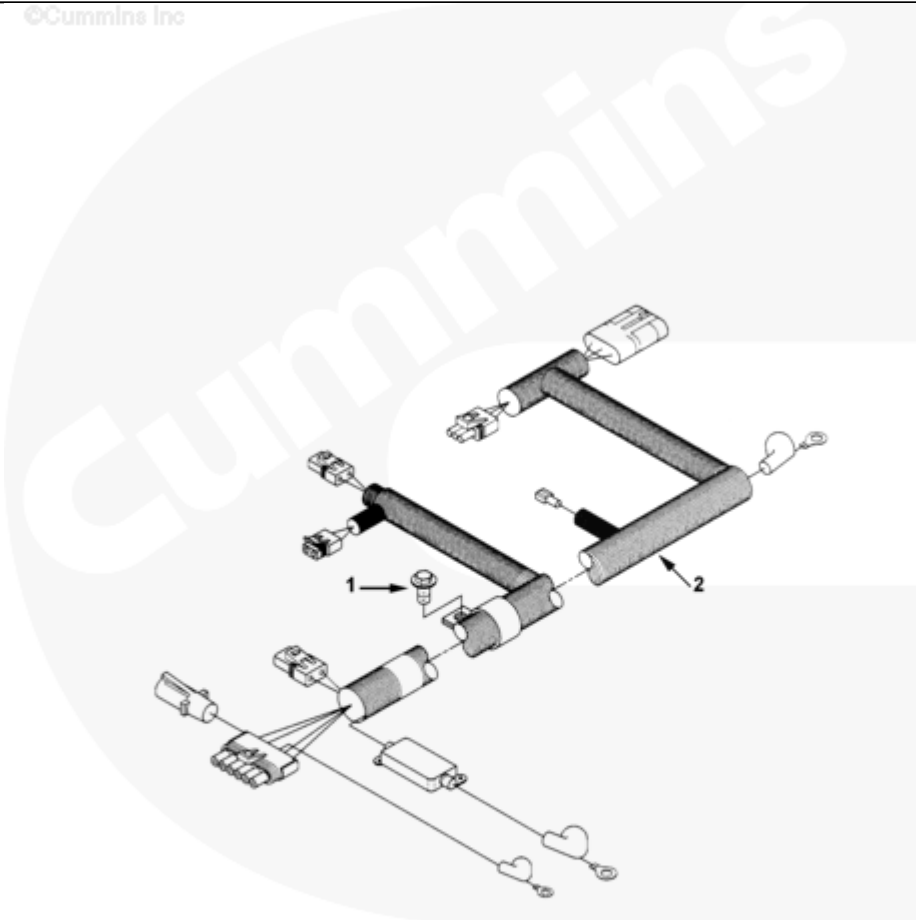




## Parts Catalog - Option Detail

Electronic Parts Catalog - Option Detail				
Option	Group	Graphic	Film Card	Date
WR9017-02	21.02	wr920ga	Z	19-FEB-97
<b>Engines</b>	6C8.3, C GAS PLUS CM556, G8.3, G8.3 CM558, GTA8.3 CM558, ISC CM2150, ISC CM554, ISC CM850, ISC8.3 CM2250, ISC8.3 G CM2180 C101, ISL CM2150, ISL CM554, ISL CM850, ISL G CM2180, ISL8.9 CM2150 L110, ISL8.9 CM2880 L112, ISL9 CM2150 SN, ISL9 CM2250, ISL9 CM2350 L101, ISL9 CM2350 L111, ISLE4 CM850, L GAS PLUS CM556, L8.9, L8.9 L121, L8.9G CMOH2.0 L125B, L9 CM2350 L116B, L9 CM2350 L119B, L9 CM2350 L120C, L9 CM2350 L123B, L9.3 L105, L9.5 L117, L9N CM2380 L124B, QSC8.3 CM2250, QSC8.3 CM2880 C102, QSC8.3 CM554, QSC8.3 CM850(CM2850), QSL9 CM2250, QSL9 CM2250 L115, QSL9 CM2350 L102, QSL9 CM2350 L107, QSL9 CM2350 L118, QSL9 CM2350 L122, QSL9 CM554, QSL9 CM850(CM2850), QSL9 G CM558, QSL9 M CM2250 L106, QSL9.3 CM2880 L113			



wr920ga

Cart	Ref No	Part Number	Part Description	Required	Remarks
<a href="#">View My Cart</a>					
		<a href="#">WR9017-02</a>	Wiring Accessories		<a href="#">Wiring Accessories...(More)</a>
					Engine Design Phase: Current
					Product
					Harness Supplier: Customer
					Bracket Supplier: Cummins
					Attachment Component: Flame
					Start/Sensor
					Harness Length (mm): 1040
					OEM Connector Location: Rear
					Out
					ECM Location: Fuel Pump Side
					- Center
					Speed Sensor Location:
					Damper Pulley
					Real Time Clock Battery: Yes
					Attaches to Front Cover
					(x=288,y=309): No
					Attaches to Intake Manifold
					Cover: No
					Engine Cylinders: 6
					Engine Family: C Series.
<input type="checkbox"/>	1	<a href="#">3925883</a>	Hexagon Flange Head Cap Screw	1	M8 X 1.25 X 16
<input type="checkbox"/>	2	<a href="#">3927339</a>	Wiring Harness	1	